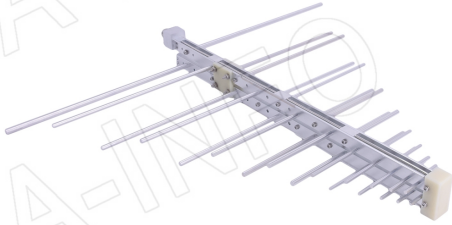
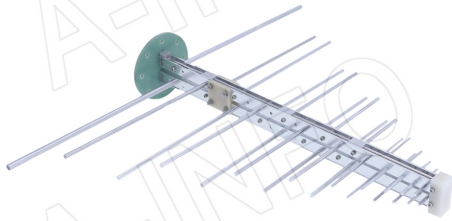


For reference only. See data sheet for the detailed specifications.

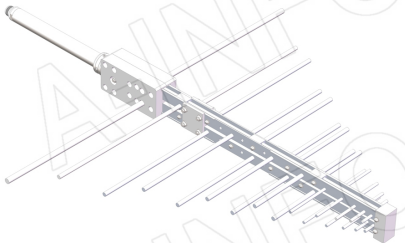
## Technical Specification



<i>P/N:DS-30300</i>	
Frequency Range(GHz)	0.3 - 3.0
Gain(dBi)	6 Typ.
Polarization	Linear
3dB Beamwidth(deg)	E Plane: 79 - 30
	H Plane: 145 - 97
VSWR	2.0:1 Typ. / 3.0:1 Max.
Output	N-Female
Average Power(W CW)	300 (150 @ 3.0GHz)
Peak Power(KW)	3
Material	Al
Size(mm)	550 x 51 x 495
Net Weight(Kg)	0.75 Around



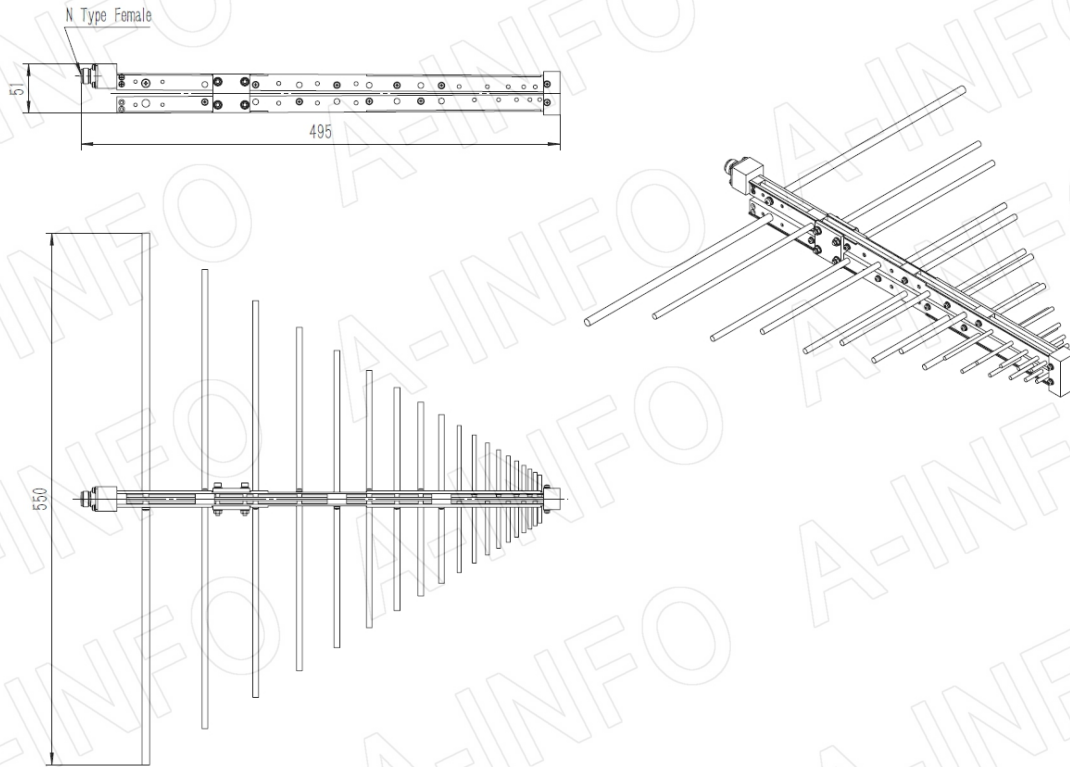
<i>P/N:DS-30300C</i>	
Frequency Range(GHz)	0.3 - 3.0
Gain(dBi)	6 Typ.
Polarization	Linear
3dB Beamwidth(deg)	E Plane: 79 - 30
	H Plane: 145 - 97
VSWR	2.0:1 Typ. / 3.0:1 Max.
Output	N-Female
Average Power(W CW)	300 (150 @ 3.0GHz)
Peak Power(KW)	3
Material	Al
Size(mm)	550 x 100 x 487
Net Weight(Kg)	0.74 Around



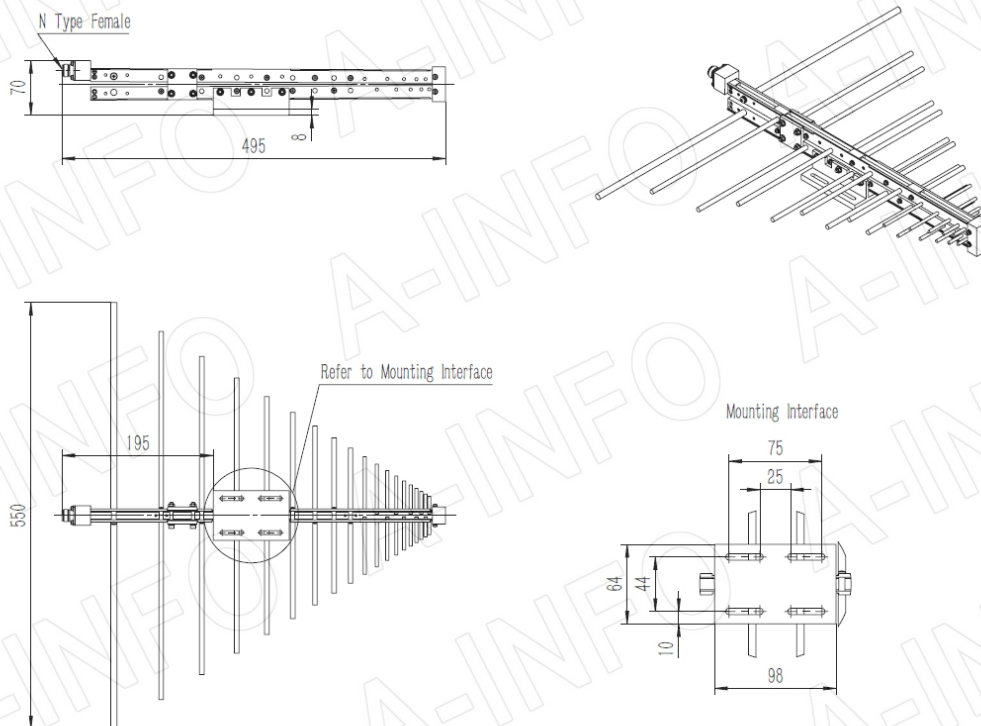
<i>P/N:DS-30300E</i>	
Frequency Range(GHz)	0.3 - 3.0
Gain(dBi)	6 Typ.
Polarization	Linear
3dB Beamwidth(deg)	E Plane: 79 - 30
	H Plane: 145 - 97
VSWR	2.0:1 Typ. / 3.0:1 Max.
Output	N-Female
Average Power(W CW)	300 (150 @ 3.0GHz)
Peak Power(KW)	3
Material	Al
Size(mm)	550 x 52 x 729.2
Net Weight(Kg)	1.30 Around

## Outline Drawing (Size: mm)

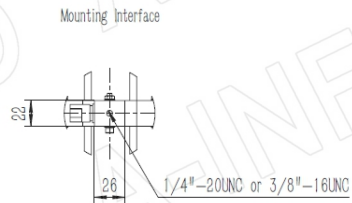
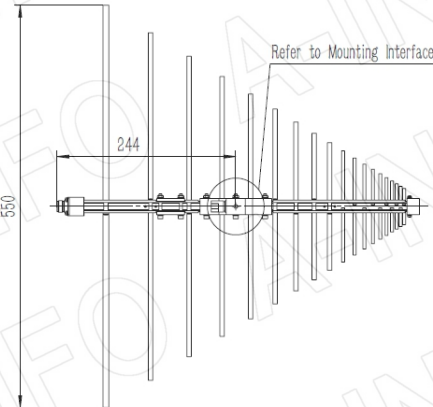
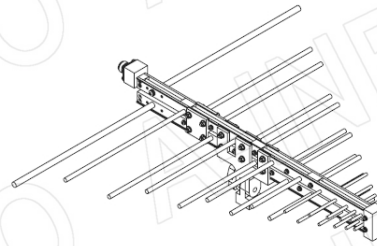
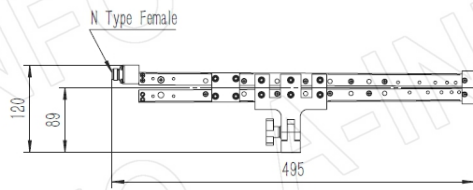
DS-30300 (P/N: DS-30300)



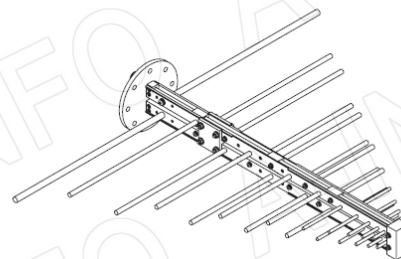
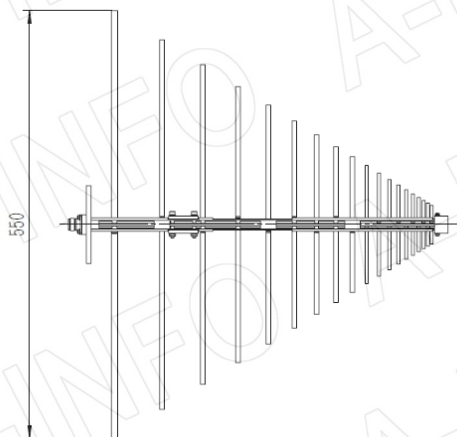
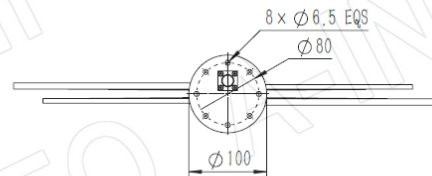
## DS-30300 with Mounting Bracket (Option, P/N: DS-30300-MB)



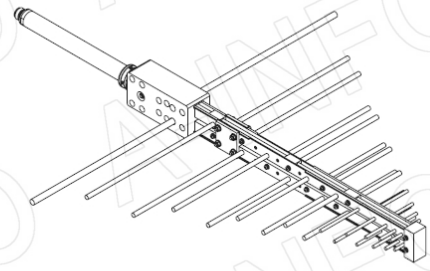
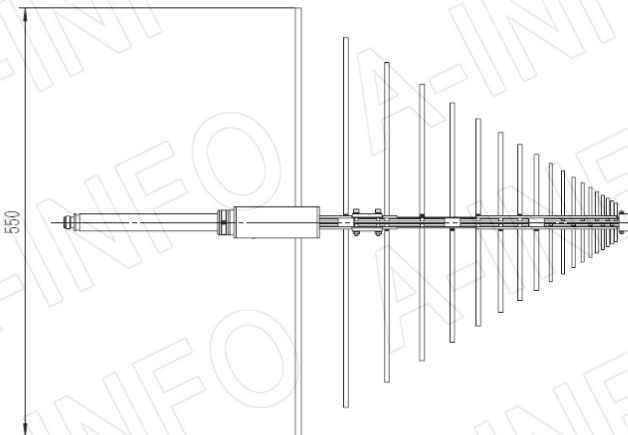
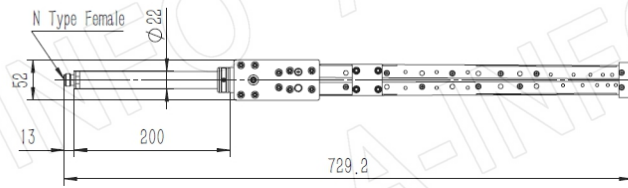
DS-30300 with Mounting Bracket for Tripod Application (Option, P/N: DS-30300-MBA)



DS-30300C (P/N: DS-30300C)



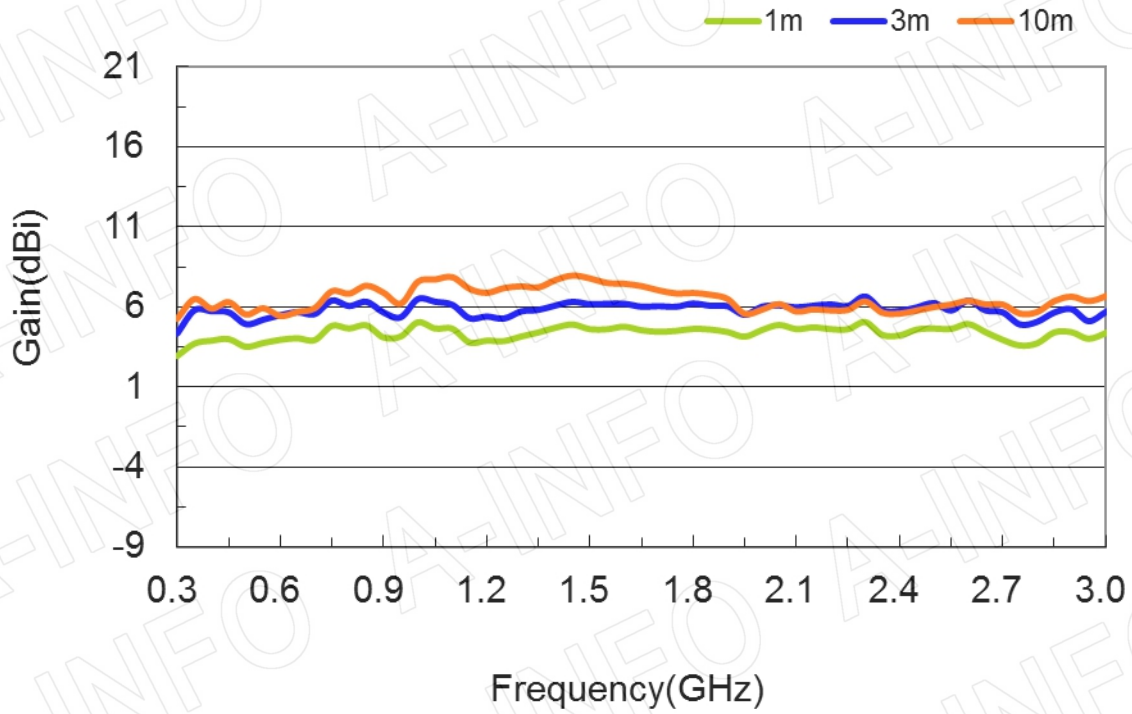
DS-30300E (P/N: DS-30300E)



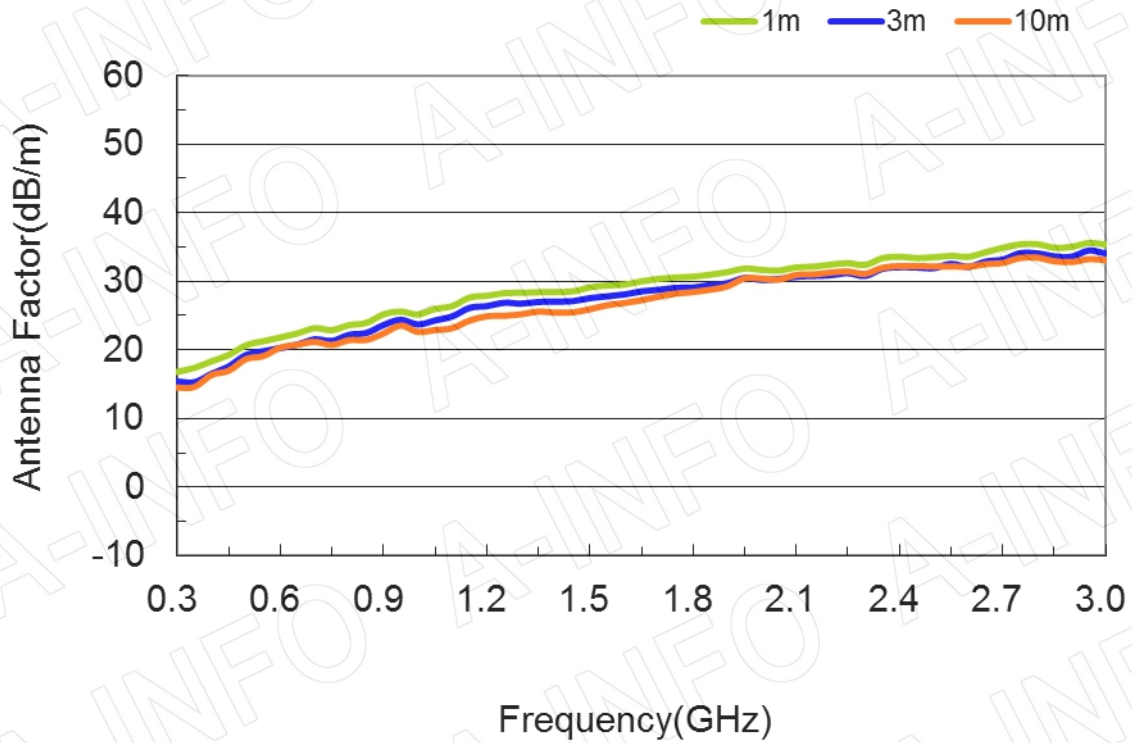


## Test Results

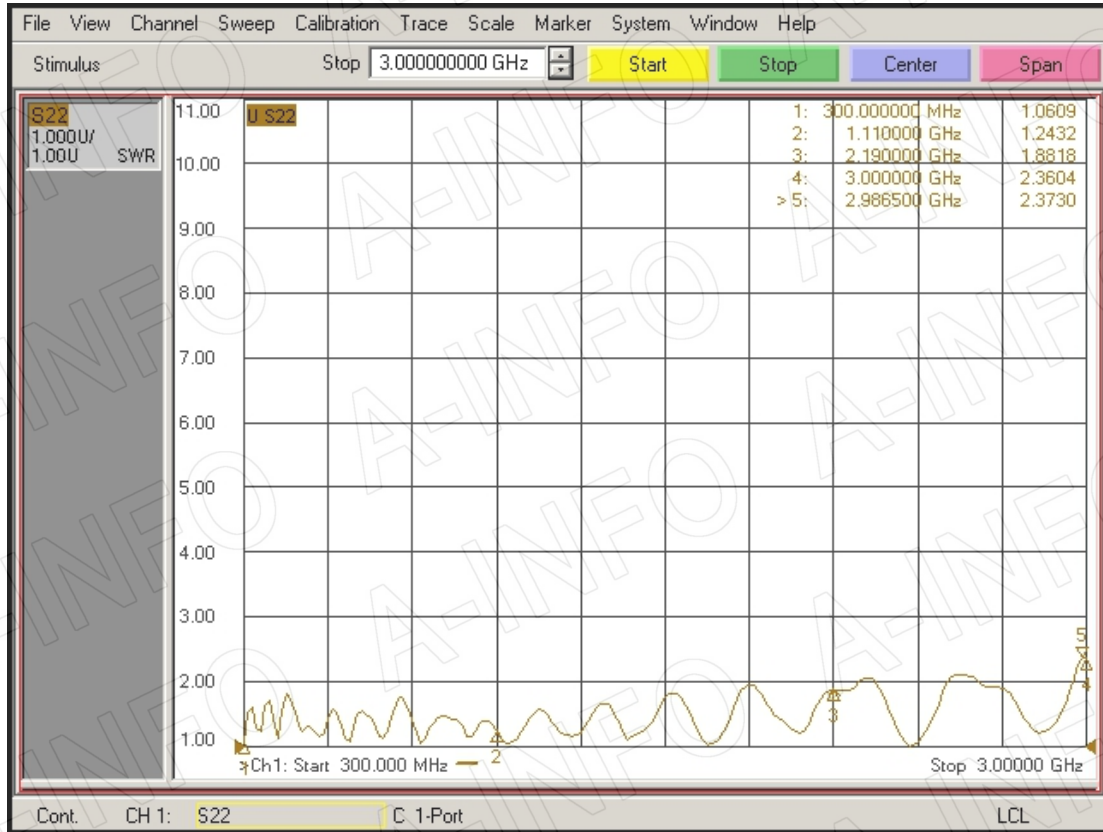
### 1. Gain



### 2. Antenna Factor



### 3. VSWR



### 4. Pattern

